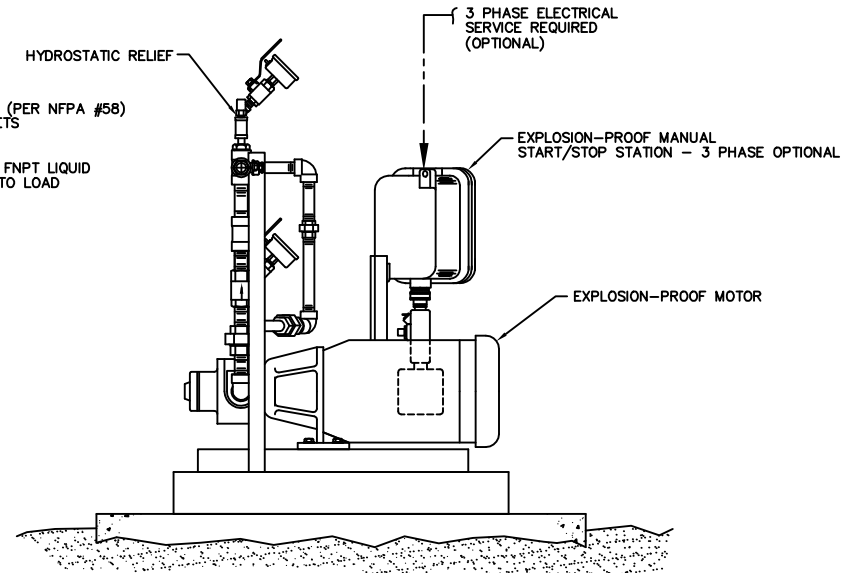
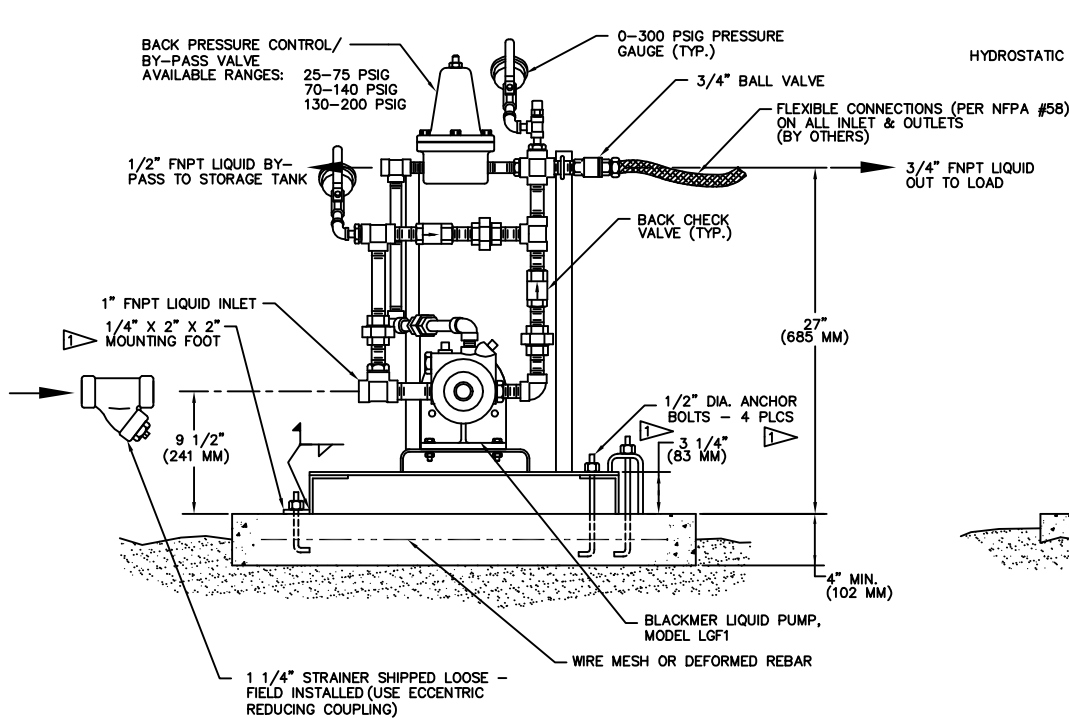


NOTES

- ▷ RECOMMENDED ANCHORING METHODS
- 2 APPROX. SHIPPING WEIGHT: 200 LBS (91 KG)
- 3 DIMENSIONS SHOWN ±1/4"
- 4 MEETS NFPA 70 REQUIREMENTS FOR CLASS I DIV 1 GROUP D
- 5 EXTERIOR: A.S.D.I. BLUE PER A.S.D.I. PAINT SPEC. PS-2.



<p>1140 N.W. 46th St., Seattle, Washington, USA 98107 Tel: (206) 789-5410 Fax: (206) 789-5414</p>		<p>Title "STABILAIRE" LIQUID PUMP MODEL BS-1 EQUIPMENT DRAWING</p>	
		<p>1104-6001</p>	
<p>Drawn By G. ROPPE</p>	<p>Date 12-11-92</p>	<p>Dep. No.</p>	
<p>Checked By</p>	<p>Scale NONE</p>	<p>Size C</p>	
<p>Approved By</p>	<p>Job No. A.S.D.I. STD.</p>	<p>Sht. No. 1 of 1</p>	
<p>Part Number</p>		<p>Rev G</p>	

This drawing is the property of Algas-SDI and is not to be reproduced nor used in any manner detrimental to our interests. All rights are reserved.